

**Körperschalllautsprecher EXT-1315D30** Art. Nr. 105024

---

**Specification:**

NO	ITEM	SPECIFICATION
1	Mechanical Layout & Dimensions	Shown in the Exciter-02.Drw
2	Nominal Impedance	$8\Omega \pm 15\%$ at 1KHZ, 1.0V (D.C.R= $7.2\Omega \pm 10\%$ )
3	Input Power	Nom. Input 1.5W
		Max. Input 3 W
4	Operation	2.44Volt (200Hz-20KHz) Sweep Time at 2s
5	Resonant FerQ. F0	$1000 \pm 20\%$ HZ (F0 Meter)
6	Flux Density	GAUSS $\pm 10\%$
7	Insulation Resistance	No Less than 1M at DC 100V
8	Polarity	When positive voltage is applied to the (+) Terminal, Voice Coil should move out to of the Air gap.
9.	Weight	$7g \pm 10\%$ (Driver weight)
10	Power Test	IEC 268-5 3.46V 48 Hours
11	Heat Resistance	Temperature: $+60^{\circ}\text{C} \pm 2^{\circ}\text{C}$
		Duration: 24 hours
12	Humidity Resistance	Temperature: $+40^{\circ}\text{C} \pm 2^{\circ}\text{C}$
		Relative Humidity: 93(+2/-3)%
		Duration: 48 Hours(GB)
13	Low Resistance	Temperature: $-10^{\circ}\text{C} \pm 3^{\circ}\text{C}$ testing 1 Hours (GB)
		And then $-20^{\circ}\text{C} \pm 3^{\circ}\text{C}$ testing 2 Hours(GB)
14	Dropping Test	$600 \pm 25\text{mm}$ $60^{\circ} \pm 5^{\circ}$ (GB)

**Körperschalllautsprecher EXT-1315D30 Art. Nr. 105024**
**Sample Testing Report:**

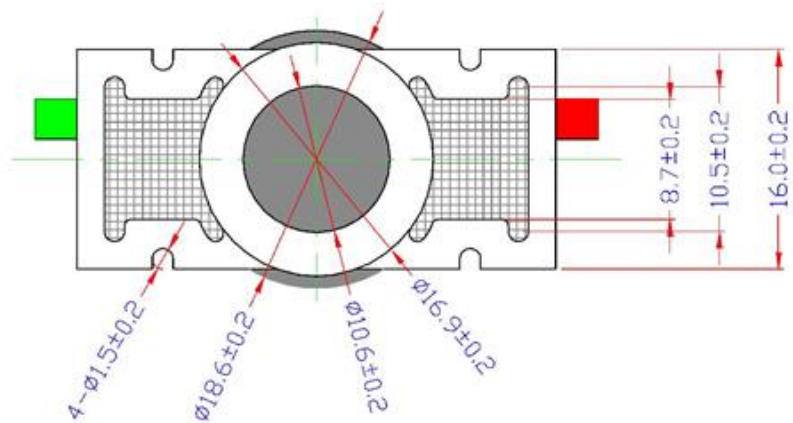
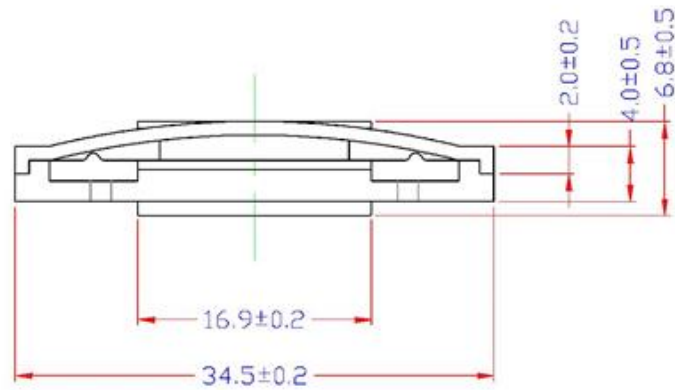
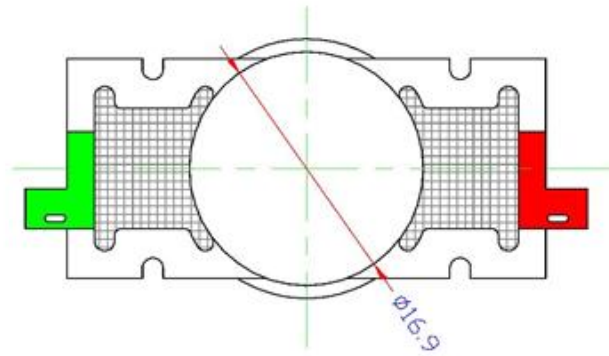
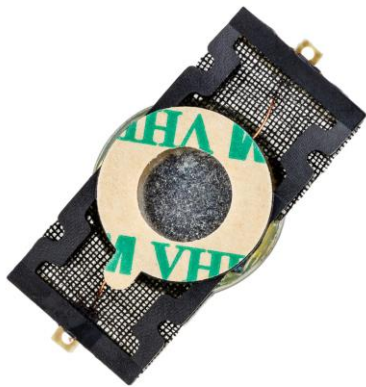
NO	ITEM	TESTING CONDITIONS	No1	No2	No3	No4	Result
1	Speaker Size	Out Diameter :(34.5*16)±0.3mm	34.5* 16	34.5* 16	/	/	OK
2	Impedance	8 Ω ±15 % At 1KHZ,1.0V (D.C.R: <b>7.2Ω</b> ±10%)	7.2	7.2	/	/	OK
3	Resonance Frequency	1000Hz±20% (F0 Meter)	1000	1000	/	/	OK
4	Buzz & Rattle Test	Must Be Normal: Wave2.44V (Form 200Hz To 20KHz )	√	√	/	/	OK
5	Polarity	When a positive D.C voltage is applied To the voice coil terminal marked to Diaphragm should move to the front	√	√	/	/	OK
6	Flux Density	GAUSS±10%	/	/	/	/	OK
7	Power Test	IEC 268-5 3.46V 48 Hours	√	√	/	/	OK
8	Heat Resistance	Temperature: +60°C ± 2°C Duration: 24 Hours	√	√	/	/	OK
9.	Humidity Resistance	Temperature: +40°C ± 2°C Relative Humidity: 93(+2/-3)% Duration: 48 Hours(GB)	√	√	/	/	OK
10	Low Temperature	Temperature: -10°C ± 3°C testing 1 Hours And then -20°C ± 3°C testing 2 Hours(GB)	√	√	/	/	OK
11	Dropping Test	600mm±25mm 60°±5° (GB)	√	√	/	/	OK

**Körperschalllautsprecher EXT-1315D30 Art. Nr. 105024**
**RoHS Substance Confirmation Form:**

NO	SUPPLY ITEM		RoHS Substance Inspection Result						Survey Report No ( 6 Material )
			Cd	Pb	Hg	Cr6+	PBB	PBDE	
	Item	Material	100	100	1000	1000	1000	1000	Ppm
1	磁 铁	N35	ND	ND	ND	Negative	ND	ND	GZ1103028813/CHEM
			OK	OK	OK	OK	OK	OK	2011/03/23
2	U 铁	Fe	ND	ND	ND	Negative	ND	ND	RLSDC000024190002C
			OK	OK	OK	OK	OK	OK	2010/05/10
3	华 司	Fe	ND	ND	ND	Negative	ND	ND	RLSDC000024190002C
			OK	OK	OK	OK	OK	OK	2010/12/28
4	音圈	KSV	ND	ND	ND	ND	ND	ND	RLSZC000740530003
			OK	OK	OK	OK	OK	OK	2010/11/24
5	弹 波	/	ND	ND	ND	ND	ND	ND	CE/2009/C6892
			OK	OK	OK	OK	OK	OK	2010/10/07
6	端子	/	ND	ND	ND	Negative	ND	ND	CE/2011/12724
			OK	OK	OK	OK	OK	OK	2011/10/20
7	胶 水	/	ND	ND	ND	ND	ND	ND	CE/2011/35347
			OK	OK	OK	OK	OK	OK	2011/03/28

**Körperschalllautsprecher EXT-1315D30** Art. Nr. 105024

**Dimension:**



**Körperschalllautsprecher EXT-1315D30** Art. Nr. 105024

